

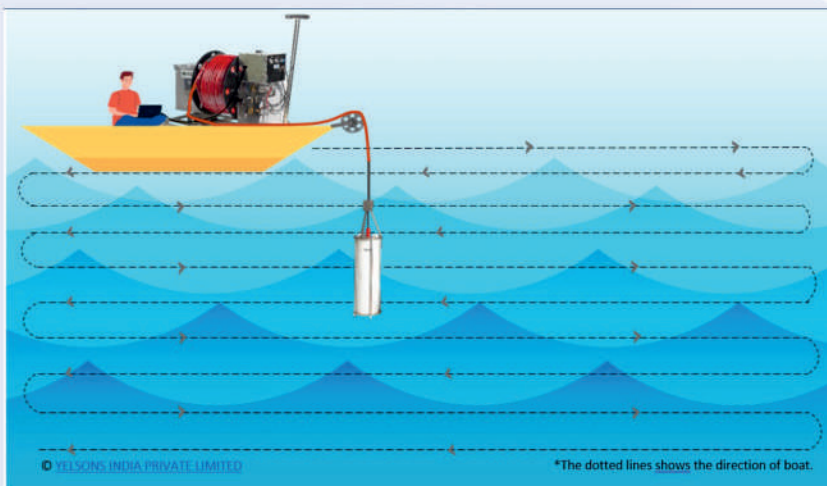
Sediment Transport Studies

The system is used to measure sediment density during transport in rivers, lakes, dams, etc. This device also measures the gamma radiations present in the water (in rivers, dams, lakes, etc.). The system has the arrangement to measure the equipment depth. All these parameters can be observed and analyzed on the software that is specially designed for the device.



• Features:

- Battery Operated System
- 100 to 200 meters depth detection
- Waterproof for 200-meter depth
- Continuous real-time data monitoring
- Specially designed software for data collection and analysis



The Sediment Transport Studies system mainly consists of Control Panel, Sensor, Cable Drum, Encoder, and GPS Module.

- After turning on the system and connecting the laptop to the system start the software.
- Log in to the utility software specially designed for the URD system.
- Select the port from the drop-down list to which the panel is connected through the cable to the laptop, select the baud rate and device ID.
- Fill operator and other details.
- Select the process type and click on start cycle. Once the cycle is started below data will appear on the screen

Project Data				
Sr No.	Latitude	Longitude	CPS	Depth (m)
1	18 30.964781	073 46.905875	00000010	000000000
2	18 30.964448	073 46.905314	00000004	000000000
3	18 30.962948	073 46.906125	00000009	000000000
4	18 30.962554	073 46.906425	00000007	000000000
5	18 30.962164	073 46.906932	00000006	000000000
6	18 30.961837	073 46.907280	00000006	000000000
7	18 30.961829	073 46.907549	00000010	000000000
8	18 30.961989	073 46.907629	00000003	000000000
9	18 30.962310	073 46.907746	00000006	000000000
10	18 30.962472	073 46.907627	00000011	000000000
11	18 30.962536	073 46.907569	00000002	000000000

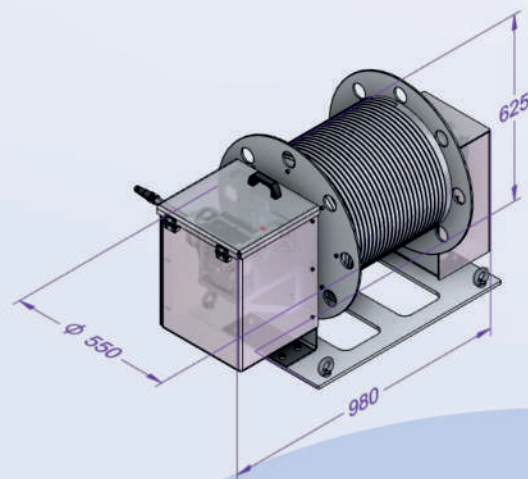
- The data of each cycle is saved to the excel file in the folder selected by a user.

Specification:

- Operating Voltage: 24VDC
- Operating Current: 450mA
- Rechargeable battery
- Underwater cable length: 200meters
- Suitable Underwater connector and enclosure for 100 meter depth
- Detector: Scintillation Detector
- Communication protocol: RS485
- Data Storage: 32 GB

Mechanical Specification:

- Dimensions: 980 x 550 x 625 (LxWxH)mm
- Material: SS304




Product improvement is a continuous process. Please contact Yelsons marketing team for the latest updates.

YELSONS INDIA PVT. LTD.

 Website: www.yelsons.com

 Email ID: info@yelsons.com

 Contact No: +91 9090595929