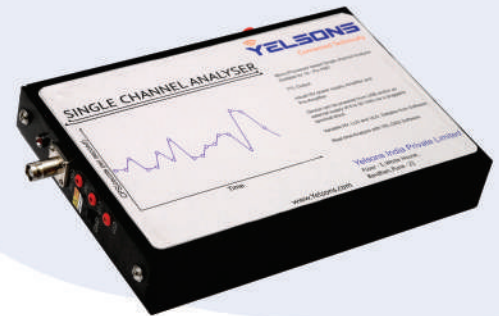


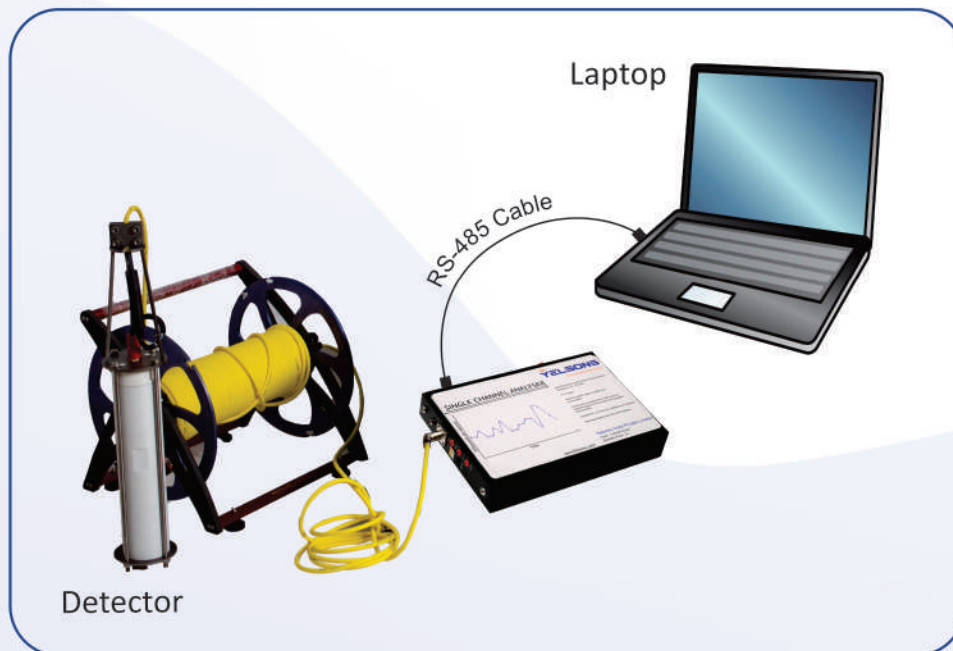
# Single Channel DAS

The Single Channel DAS consists of SCA (single channel analyser) with PC control of all necessary operating parameters. The detector is connected to the counter. The detector has its own high voltage, window settings, and threshold points.



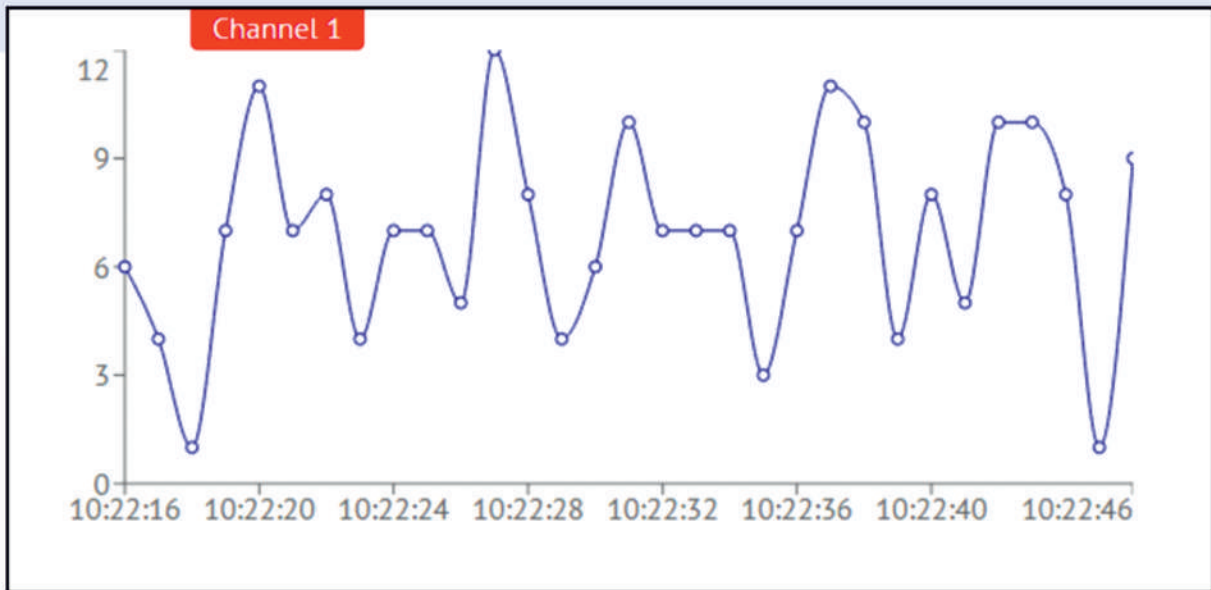
## Features:

- Variable HV
- Variable Discriminator level
- Software Controlled Parameters (HV, ULD, LLD)



The detector is connected to the panel, as shown in the above image.

- After turning on the machine and connecting the laptop to the machine start the software.
- Select the port from the drop-down list to which panel is connected through the cable to the laptop.
- Select the HV Module used and click on connect.
- It will take 3sec to 5sec to connect to the device.
- Once the machine is connected to the laptop it will show a connected message.
- After connecting to the machine successfully you will see the below (Dashboard) window.



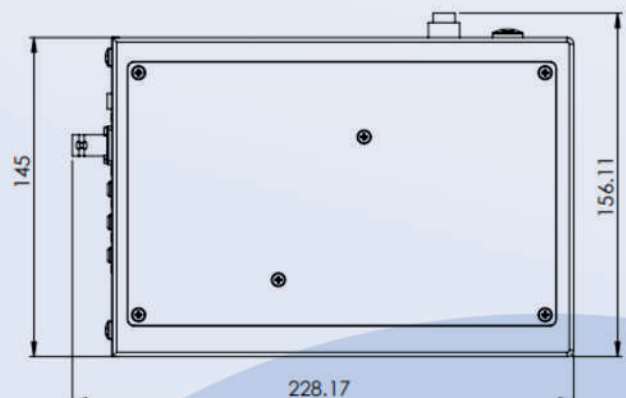
## Specifications:

- Input Voltage: 24VDC
- DC Current: 1A
- Rated Power: 52.8W
- Operating Temperature: -20oC to +60oC
- High Voltage (HV): Adjustable from 0V to 1500VDC
- Window: Adjustable from 0mV to 3300mV (can be enabled or disabled) for LLD and ULD
- Connectors: RF type MHV Series, USB Connector for PC connection


## Mechanical Specifications:

All the dimensions are in mm.


- Size: 228.17 x 36 x 156.11 mm (L x W x H)
- Material used: Nylon



**YELSONS INDIA PVT. LTD.**

 Website: [www.yelsons.com](http://www.yelsons.com)

 Email ID: [info@yelsons.com](mailto:info@yelsons.com)

 Contact No: +91 9090595929