

The 14-pin voltage divider is used with the scintillation detector. It can easily be mounted on the scintillation detector by simply inserting the 14 pins of the scintillation detector into the voltage divider base.



**Single connector for
HV and Signal**

Features:

- Highly anodized aluminium enclosure
- Can be mounted directly on a 14-pin base Detector
- RoHS Compliant
- Lockable cable connector
- Positive / Negative High Voltage operation
- MHV connector for High Voltage input power supply
- Optimized to work with different standard 2-inch and 3-inch detectors with 14-pin PMT available.

Voltage Divider Specification:

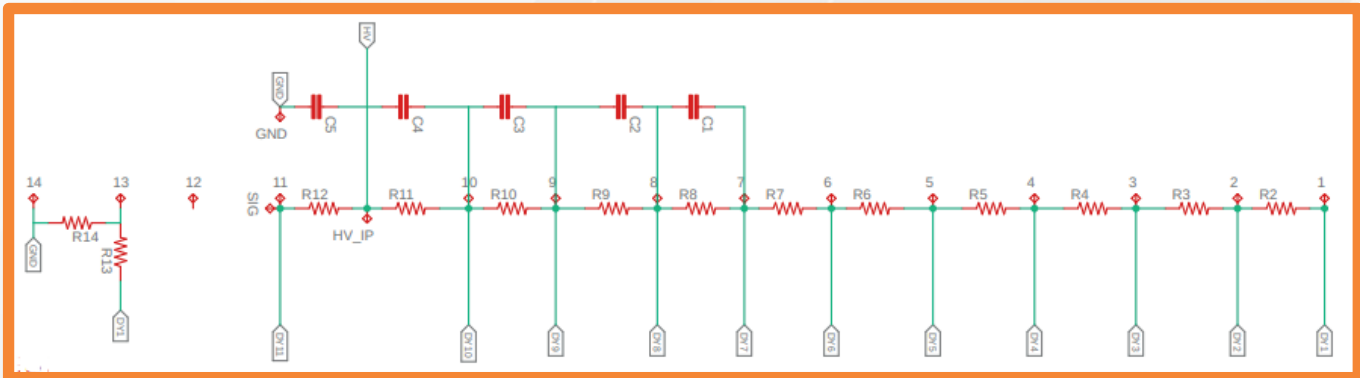
- Maximum Input voltage: 1500V
- Typical operating power requirement: 800VDC to 1200VDC at <1mA (can be higher or lower depending upon the type of PMT Tube)
- Anode Output: AC Coupled
- Total divider Resistance: 4.3M Ω (at a minimum gain)
- Anode Load Resistor: 1M Ω
- HV Gain range adjustment: Varies with PMT applied HV between 82% and 100% of applied voltage.
- High Voltage Connector: Miniature High Voltage Connector
- Voltage Ratio cathode to dynode: 1 is 3R

YELSONS INDIA PVT.LTD.

 Website: www.Yelsons.com
 E-Mail: info@yelsons.com
 Call: +91 9069067071
 Corporate Address -
Floor - 3, White House,
Bavdhan Pashan Road, Bavdhan, Pune - 411021

- Operating Temperature: -20°C to +60°C
- Conformal Coated PCBs to protect from Malfunctioning due to humidity.

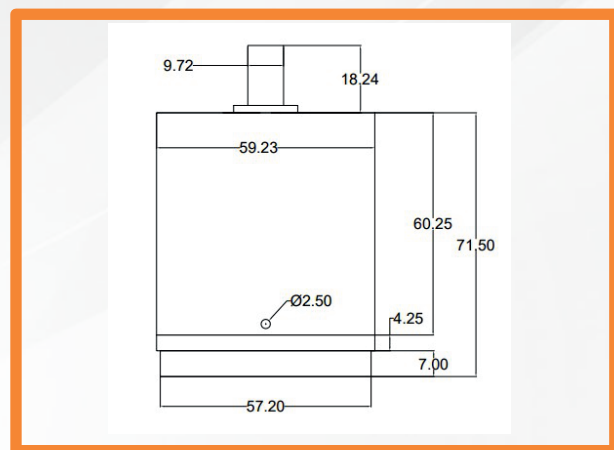
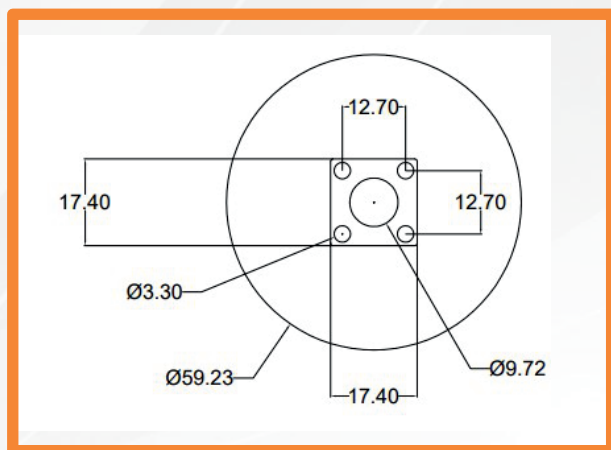
VD Schematic:



Options:

- High voltage connector: MHV or SHV
- Negative high voltage option available

Mechanical Specifications:



Product improvement is a continuous process. Please contact Yelsons marketing team for latest updates.

YELSONS INDIA PVT.LTD.

- Website: www.Yelsons.com
- E-Mail: info@yelsons.com
- Call: +91 9069067071
- Corporate Address -
Floor - 3, White House,
Bavdhan Pashan Road, Bavdhan, Pune - 411021